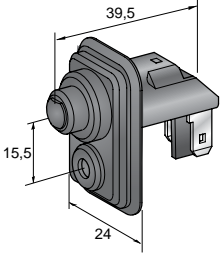
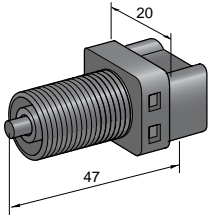
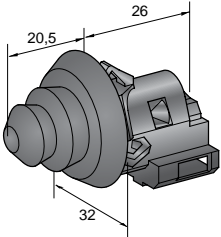
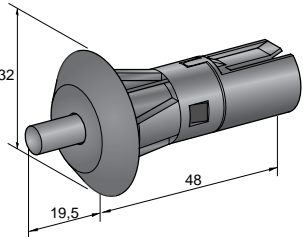
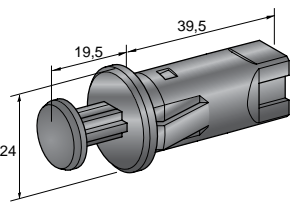
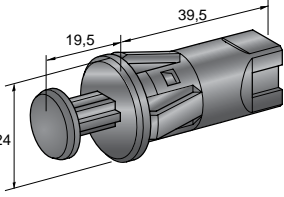
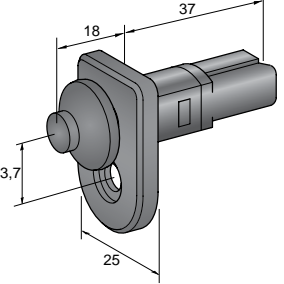
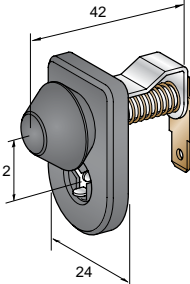
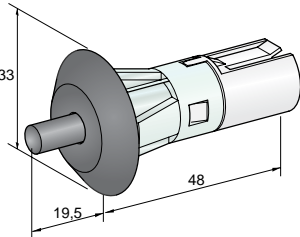
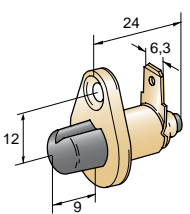


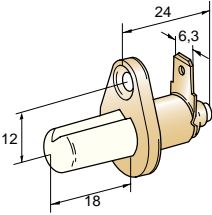
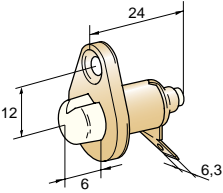
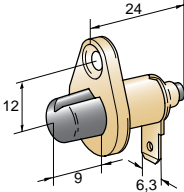
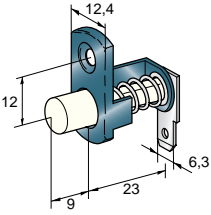
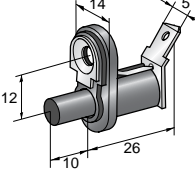
The background features a light blue line-art illustration of various electrical components. On the left, there are several circular elements resembling stacked washers or spacers. To the right, there is a rectangular component with a small square on its top surface, and below it, a vertical assembly of components that looks like a terminal block or a switch mechanism.

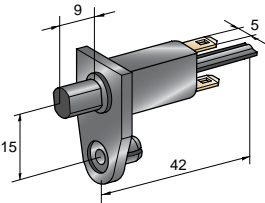
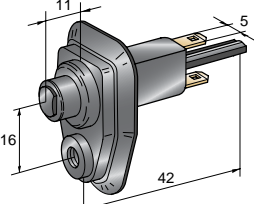
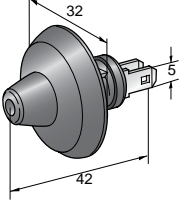
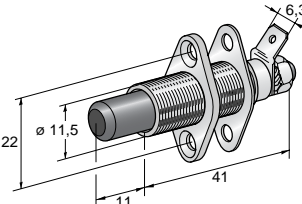
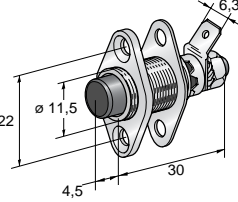
INTERRUPTOR

Switches
Interrupteurs
Schalter

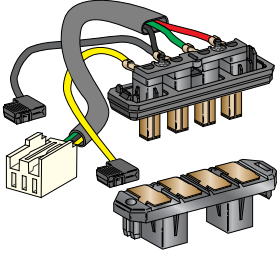
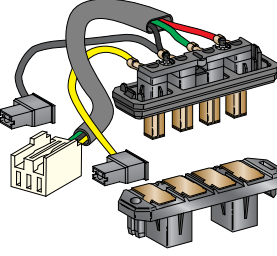
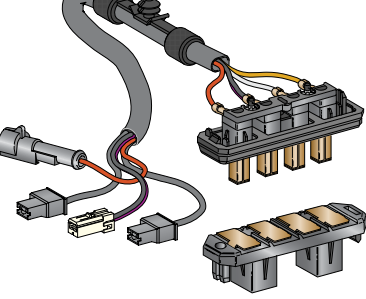
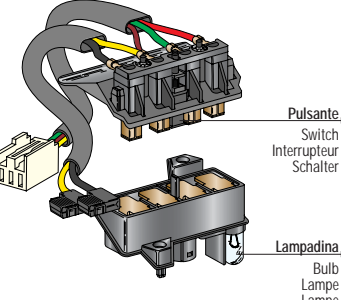
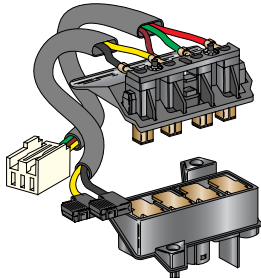
<p>DISEGNO DRAWING DESSIN ZEICHNUNG</p>	<p>APPLICAZIONE APPLICATIONS APPLICATIONS ANWENDUNGEN</p>	<p>REF.</p>	<p>PCS</p>
	<p>FIAT BRAVO • BRAVA • PALIO Portiere Doors Portières Türen</p>	<p>42.09652</p>	<p>1</p>
	<p>RENAULT TWINGO • CLIO • LAGUNA • TRAFFIC • EXPRESS LUCI STOP Stop lights Feux de stop Bremsleuchte</p>	<p>42.09654</p>	<p>1</p>
	<p>RENAULT MEGANE • CLIO '98 Multifunzionale Multifunctional Multifonctionnel Multifunktion</p>	<p>42.09655</p>	<p>1</p>
	<p>RENAULT TWINGO • CLIO • LAGUNA • SAFRANE • ESPACE • EXPRESS Portiere Doors Portières Türen</p>	<p>42.09656</p>	<p>1</p>
	<p>RENAULT CLIO Bagagliaio Boot Coffre a bagages Kofferraum</p>	<p>42.09657</p>	<p>1</p>

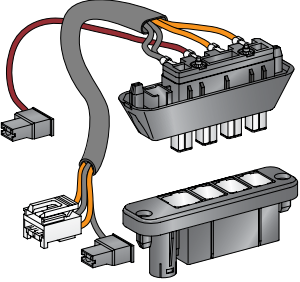
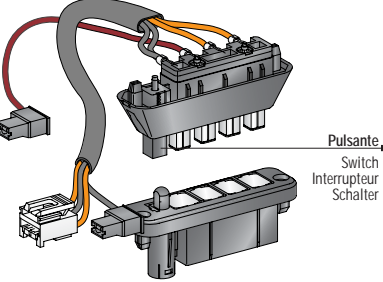
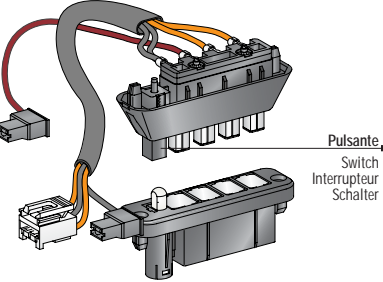
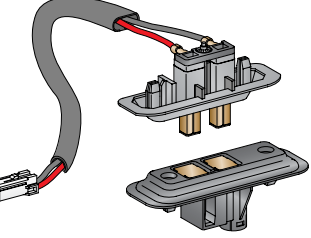
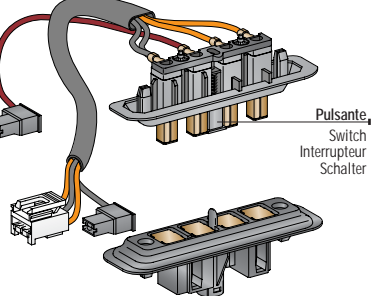
<p>DISEGNO DRAWING DESSIN ZEICHNUNG</p>	<p>APPLICAZIONE APPLICATIONS APPLICATIONS ANWENDUNGEN</p>	<p>REF.</p>	<p>PCS</p>
	<p>RENAULT TWINGO • MEGANE Bagagliaio Boot Coffre a bagages Kofferraum</p>	<p>42.09658</p>	<p>1</p>
	<p>NED - CAR (Mitsubishi - Volvo) Portiere Doors Portières Türen</p>	<p>42.09662</p>	<p>1</p>
	<p>NED - CAR (Mitsubishi - Volvo) Portiere Doors Portières Türen</p>	<p>42.09663</p>	<p>1</p>
	<p>PEUGEOT Portiere Doors Portières Türen</p>	<p>42.09665</p>	<p>1</p>
	<p>INNOCENTI - LANCIA Bagagliaio Boot Coffre a bagages Kofferraum</p>	<p>42.09400</p>	<p>1</p>

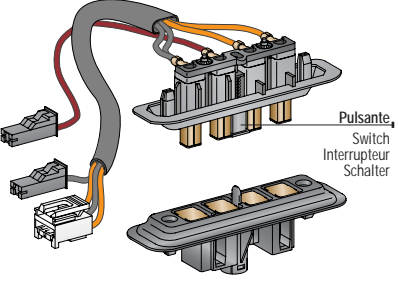
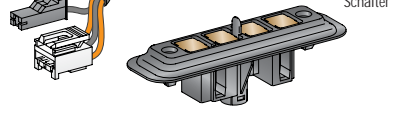
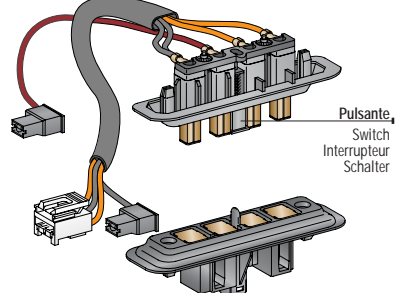
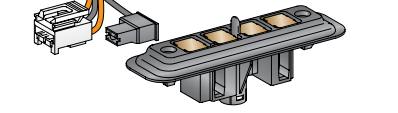
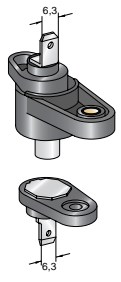
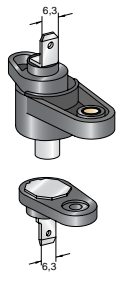
<p>DISEGNO DRAWING DESSIN ZEICHNUNG</p>	<p>APPLICAZIONE APPLICATIONS APPLICATIONS ANWENDUNGEN</p>	<p>REF.</p>	<p>PCS</p>
	<p>LANCIA DELTA Portiere Doors Portières Türen</p>	<p>42.09420</p>	<p>1</p>
	<p>FIAT 128 • 124 SPYDER • 238 Portiere Doors Portières Türen</p>	<p>42.09430</p>	<p>1</p>
	<p>AUTOBIANCHI A 112 Portiere Doors Portières Türen</p>	<p>42.09440</p>	<p>1</p>
	<p>FIAT RITMO • PANDA • 131 • 132 • 128 Portiere Doors Portières Türen</p>	<p>42.09500</p>	<p>1</p>
	<p>RENAULT Portiere Doors Portières Türen</p>	<p>42.09510</p>	<p>1</p>

<p>DISEGNO DRAWING DESSIN ZEICHNUNG</p>	<p>APPLICAZIONE APPLICATIONS APPLICATIONS ANWENDUNGEN</p>	<p>REF.</p>	<p>PCS</p>
	<p>FIAT UNO Portiere Doors Portières Türen</p>	<p>42.09520</p>	<p>1</p>
	<p>FIAT / CROMA LANCIA / THEMA Portiere Doors Portières Türen</p>	<p>42.09530</p>	<p>1</p>
	<p>RENAULT Portiere Doors Portières Türen</p>	<p>42.09540</p>	<p>1</p>
	<p>Sistemi antifurto, portiere, portelloni Autoalarm, doors, tailgates Dispositifs antivol, portières, hayons arrière Autoalarm, türen, hecktüren</p>	<p>42.09570</p>	<p>1</p>
	<p>Sistemi antifurto, portiere, portelloni Autoalarm, doors, tailgates Dispositifs antivol, portières, hayons arrière Autoalarm, türen, hecktüren</p>	<p>42.09580</p>	<p>1</p>

<p>DISEGNO DRAWING DESSIN ZEICHNUNG</p>	<p>APPLICAZIONE APPLICATIONS APPLICATIONS ANWENDUNGEN</p>	<p>REF.</p>	<p>PCS</p>
	<p>ALFA ROMEO 164 Bagagliaio Boot Coffre a bagages Kofferraum</p>	<p>42.09590</p>	<p>1</p>
	<p>FIAT TIPO • TEMPRA Portiere Doors Portières Türen</p>	<p>42.09610</p>	<p>1</p>
	<p>Deviatore luci per trattori Tractor light Feux de tracteur Leuchten für traktoren</p>	<p>42.08800</p>	<p>1</p>
	<p>FIAT 126 Motorino di avviamento Starter Demarreur Anlasser</p>	<p>42.08702</p>	<p>1</p>

DISEGNO DRAWING DESSIN ZEICHNUNG	APPLICAZIONE APPLICATIONS APPLICATIONS ANWENDUNGEN	REF.	PCS
	AUTOBIANCHI Y10 Contatto mobile Movable contact Contact mobile Beweglicher kontakt	42.09630	1
	AUTOBIANCHI Y10 Contatto fisso Fixed contact Contact fixe Feststehender kontakt	42.09631	1
	FIAT CINQUECENTO Contatto mobile Movable contact Contact mobile Beweglicher kontakt	42.09667	1
	FIAT CINQUECENTO Contatto fisso Fixed contact Contact fixe Feststehender kontakt	42.09666	1
	FIAT SEICENTO Contatto mobile Movable contact Contact mobile Beweglicher kontakt	42.09668	1
	FIAT SEICENTO Contatto fisso Fixed contact Contact fixe Feststehender kontakt	42.09669	1
	FIAT UNO Contatto mobile con pulsante Movable contact with switch Contact mobile avec interrupteur Beweglicher kontakt mit schalter	42.09633	1
	FIAT UNO Contatto fisso con lampadina Fixed contact with bulb Contact fixe avec lampe Feststehender kontakt mit lampe	42.09632	1
	FIAT UNO Contatto mobile senza pulsante Movable contact without switch Contact mobile sans interrupteur Beweglicher kontakt ohne schalter	42.09634	1
	FIAT UNO Contatto fisso senza pulsante Fixed contact without switch Contact fixe sans interrupteur Feststehender kontakt ohne schalter	42.09635	1

<p>DISEGNO DRAWING DESSIN ZEICHNUNG</p>	<p>APPLICAZIONE APPLICATIONS APPLICATIONS ANWENDUNGEN</p>	<p>REF.</p>	<p>PCS</p>
	<p>FIAT PUNTO Contatto mobile senza pulsante Movable contact without switch Contact mobile sans interrupteur Beweglicher kontakt ohne schalter</p>	<p>42.09637</p>	<p>1</p>
	<p>FIAT PUNTO Contatto fisso Fixed contact Contact fixe Feststehender kontakt</p>	<p>42.09638</p>	<p>1</p>
	<p>FIAT PUNTO Contatto mobile con pulsante Movable contact with switch Contact mobile avec interrupteur Beweglicher kontakt mit schalter</p>	<p>42.09639</p>	<p>1</p>
	<p>FIAT PUNTO Contatto fisso Fixed contact Contact fixe Feststehender kontakt</p>	<p>42.09640</p>	<p>1</p>
	<p>FIAT PUNTO Contatto mobile con pulsante Movable contact with switch Contact mobile avec interrupteur Beweglicher kontakt mit schalter</p>	<p>42.09639</p>	<p>1</p>
	<p>FIAT PUNTO Contatto fisso per antifurto Fixed contact Contact fixe Feststehender kontakt</p>	<p>42.09641</p>	<p>1</p>
	<p>FIAT BRAVO/BRAVA Contatto mobile (2 contatti) Movable contact (2 contacts) Contact mobile (2 contactts) Beweglicher kontakt (2 kontakte)</p>	<p>42.09647</p>	<p>1</p>
	<p>FIAT BRAVO/BRAVA Contatto fisso (2 contatti) Fixed contact (2 contacts) Contact fixe (2 contacts) Feststehender kontakt (2 kontakte)</p>	<p>42.09646</p>	<p>1</p>
	<p>FIAT BRAVO/BRAVA Contatto mobile con pulsante Movable contact with switch Contact mobile avec interrupteur Beweglicher kontakt mit schalter</p>	<p>42.09648</p>	<p>1</p>
	<p>FIAT BRAVO/BRAVA Contatto fisso Fixed contact Contact fixe Feststehender kontakt</p>	<p>42.09649</p>	<p>1</p>

<p>DISEGNO DRAWING DESSIN ZEICHNUNG</p>	<p>APPLICAZIONE APPLICATIONS APPLICATIONS ANWENDUNGEN</p>	<p>REF.</p>	<p>PCS</p>
	<p>FIAT BRAVO/BRAVA Contatto mobile con pulsante Movable contact with switch Contact mobile avec interrupteur Beweglicher kontakt mit schalter</p>	<p>42.09650</p>	<p>1</p>
	<p>FIAT BRAVO/BRAVA Contatto fisso Fixed contact Contact fixe Feststehender kontakt</p>	<p>42.09649</p>	<p>1</p>
	<p>FIAT BRAVA Contatto mobile con pulsante Movable contact with switch Contact mobile avec interrupteur Beweglicher kontakt mit schalter</p>	<p>42.09648</p>	<p>1</p>
	<p>FIAT BRAVA Contatto fisso (solo per antifurto) Fixed contact (for autoalarm only) Contact fixe (pour antivol seulement) Feststehender kontakt (nur für autoalarm)</p>	<p>42.09651</p>	<p>1</p>
	<p>FIAT Luce targa - furgoni Number plate lights - vans Feux plaque - fourgons Nummernschildbeleuchtung - lkw Contatto mobile Movable contact Contact mobile Beweglicher kontakt</p>	<p>42.08150</p>	<p>1</p>
	<p>FIAT Luce targa - furgoni Number plate lights - vans Feux plaque - fourgons Nummernschildbeleuchtung - lkw Contatto fisso Fixed contact Contact fixe Feststehender kontakt</p>	<p>42.08151</p>	<p>1</p>