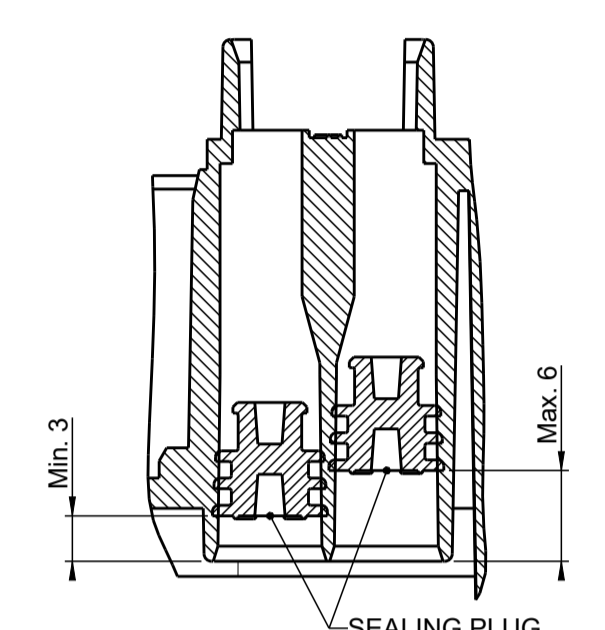
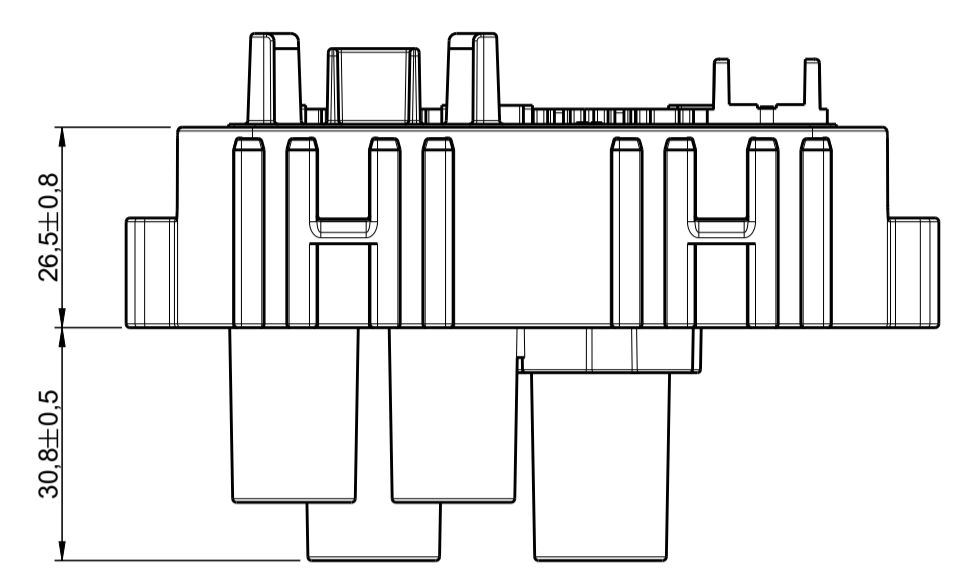


TERMINAL AND GASKET ASSOCIATED TABLE REFERENCE								
CONTACT	CAVITY	TERMINAL P/N	CABLE SECTION SCMM	GASKET P/N	CABLE Ø mm	GASKET COLOR		
F280 (MTA Supply)	1-2-3-4-5 6-7-8-9-10 11-12	1708339/xx	3+4	4550749/xx	3.7	GREY		
		1708339/xx	2.5	4550747/xx	2.2+3	GREEN		
		1708338/xx	1.5+2	4550747/xx	2.2+3	GREEN		
		1708338/xx	1	4550748/xx	1.2+2.1	RED		
		1708337/xx	0.35+0.75	4550748/xx	1.2+2.1	RED		
		-	-	4550750/xx	SEALING PLUG	BLACK		
JPT (TYCO Supply)	23-24	PRODUCT GROUP DRAWING: 1355047 (Modified Spring)	0.2+2.5	963294-1	1.2+2.1	BLUE		
				963293-1	2.0+2.7	REDBROWN		
				963292-1	2.7+3.0	YELLOW		
				828905-1	2.2+3	WHITE		
				828922-1	SEALING PLUG	NATURAL		
				828922-2	SEALING PLUG	GREEN		
SPT (TYCO Supply)	15-16-19-20 25-26	PRODUCT GROUP DRAWING: 1355049 (Modified Spring)	0.5+4	963243-1	1.4+2.1	BLUE		
				963244-1	2.2+3	WHITE		
				963245-1	3.4+3.7	YELLOW		
				100132-1	SEALING PLUG	BLACK		
MPT (TYCO Supply)	13-14-17-18	PRODUCT GROUP DRAWING: 1355050 (Modified Spring) Single wire seal-system	2.5+4	4551903/xx	3.4+4.9 (MTA Supplied)	YELLOW		
				1355437-1	4.8+5.2	VIOLET		
				1355437-2	5.8+6.6	BLUE		
				1355437-3	7.1+8.1	RED		
				4423721/xx	SEALING PLUG (MTA Supplied)	WHITE		
				-	-	-	-	-
F800 (MTA Supply)	21-22	-	-	1707400/xx	1.5+2.5	4550780/xx	1.9+3.3	GREEN
				1707410/xx	3+6	4550781/xx	3.4+4.9	BLUE
				1707420/xx	7+10	4550782/xx	5+6.5	RED
				-	-	4550784/xx	SEALING PLUG	NATURAL

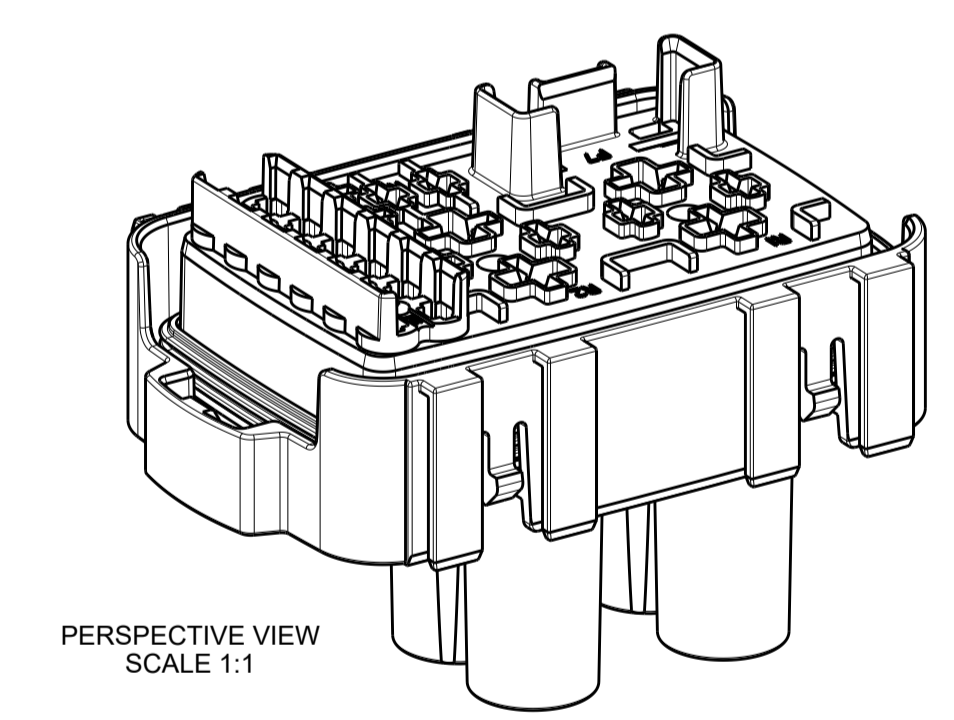
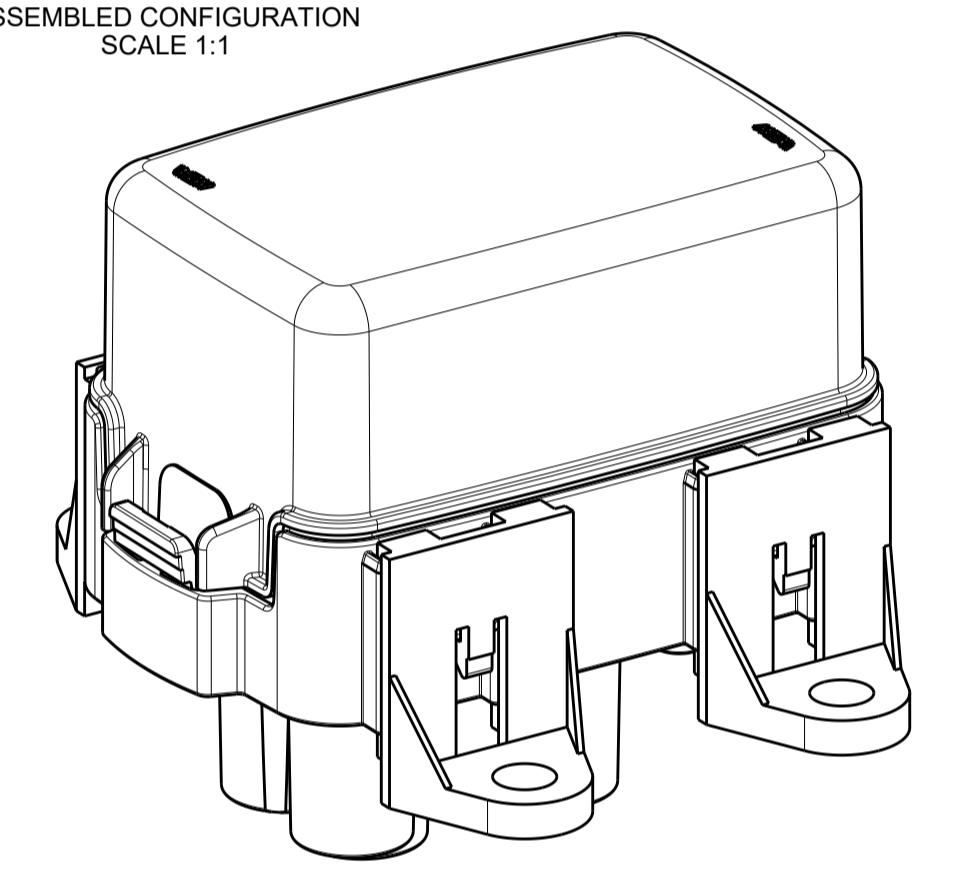
REV.	REVISION HISTORY	NAME	DATE
4	ADDED DETAIL FOR F280 SEALING PLUGS	M.VIGNATI	27.04.16
5	UPDATED TERMINAL AND GASKET ASSOCIATED TABLE REFERENCE (NEW SEALING PLUG 2.5+4 MPT CONTACT)	A.MARCHETTI	09.06.17
6	UPDATED WIRING RANGE IN THE REFERENCE TABLE ADDED SEALING PLUG MTA SUPPLIED (pin 4423721/xx)	A.MARCHETTI	24.07.17
7	BODY UPDATED UPDATED ASSEMBLING INDICATION	G.IUSO	02.10.18
8	ADDED NOTE IN THE OPERATING FEATURES TABLE	G.IUSO	16.04.19
9	ADDED DETAILED VIEW AND DELETED NOTE IN THE OPERATING FEATURES TABLE	G.IUSO	20.05.19

OPERATING FEATURES		
FEATURE	UNIT	VALUE
Vmax	V	32
T.min - T.max	°C	-40 / +120
Flammability	UL94	HB
IP	IEC 529	6K6 / 6K9K (with cover installed)

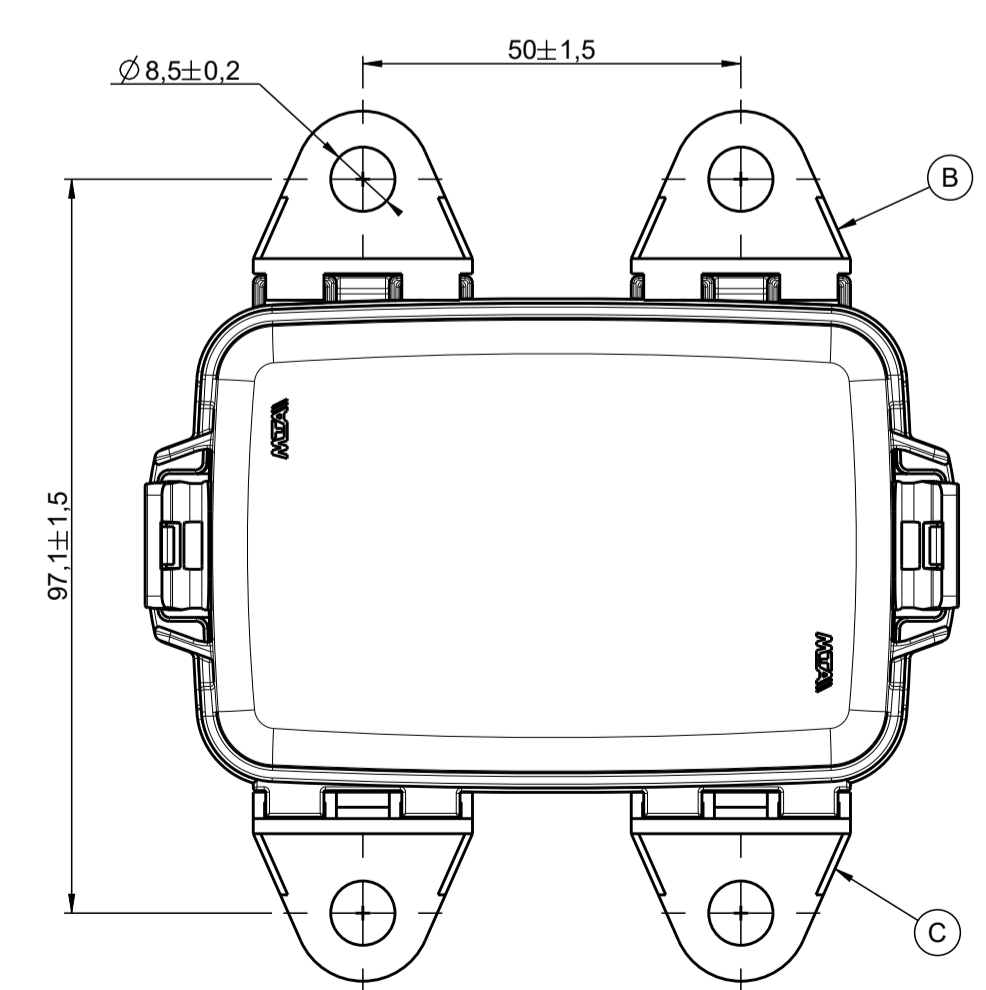
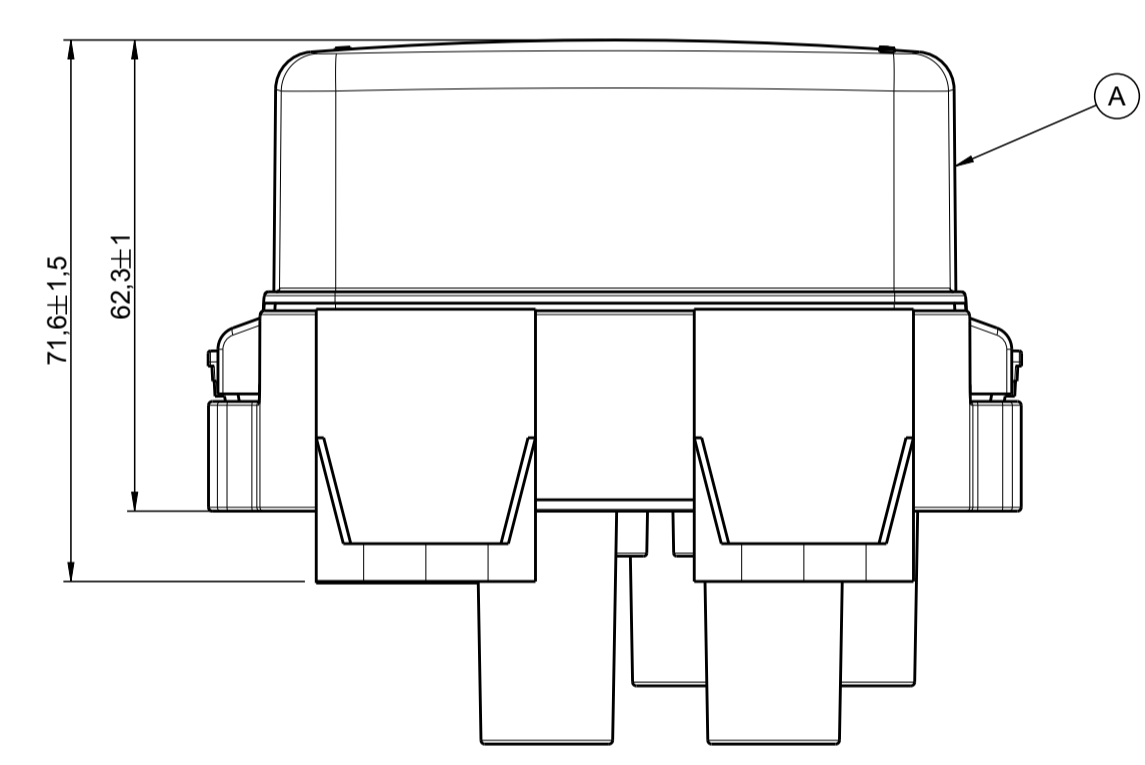
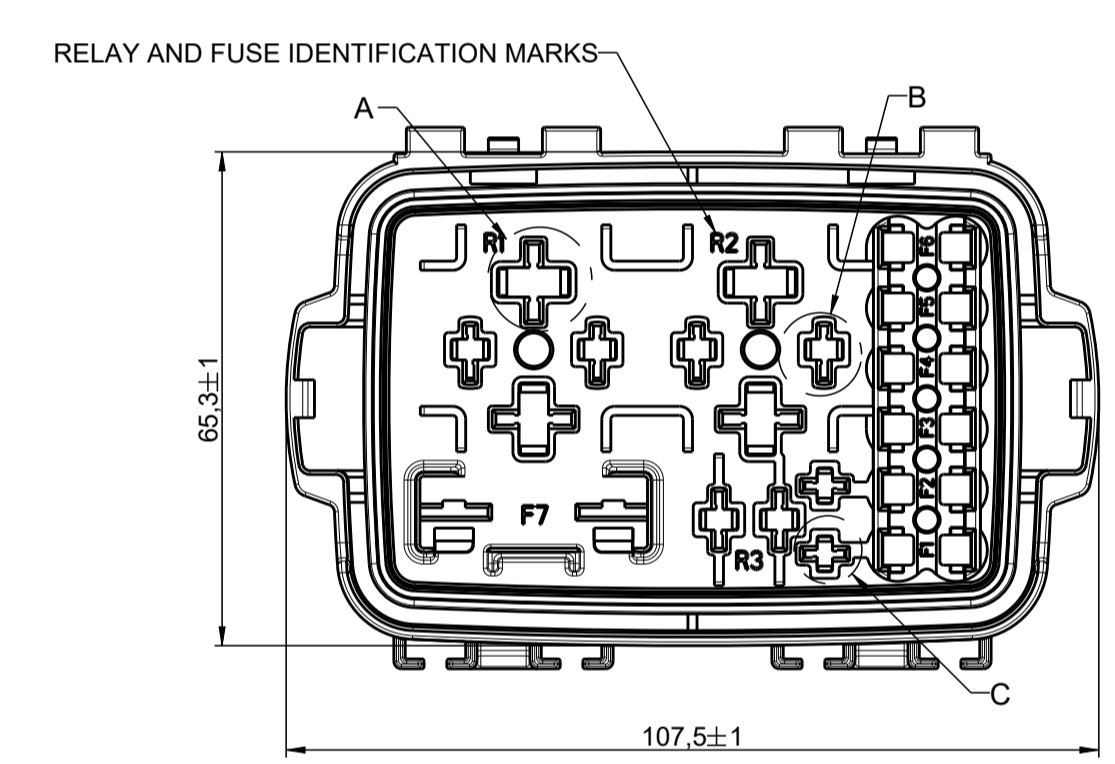
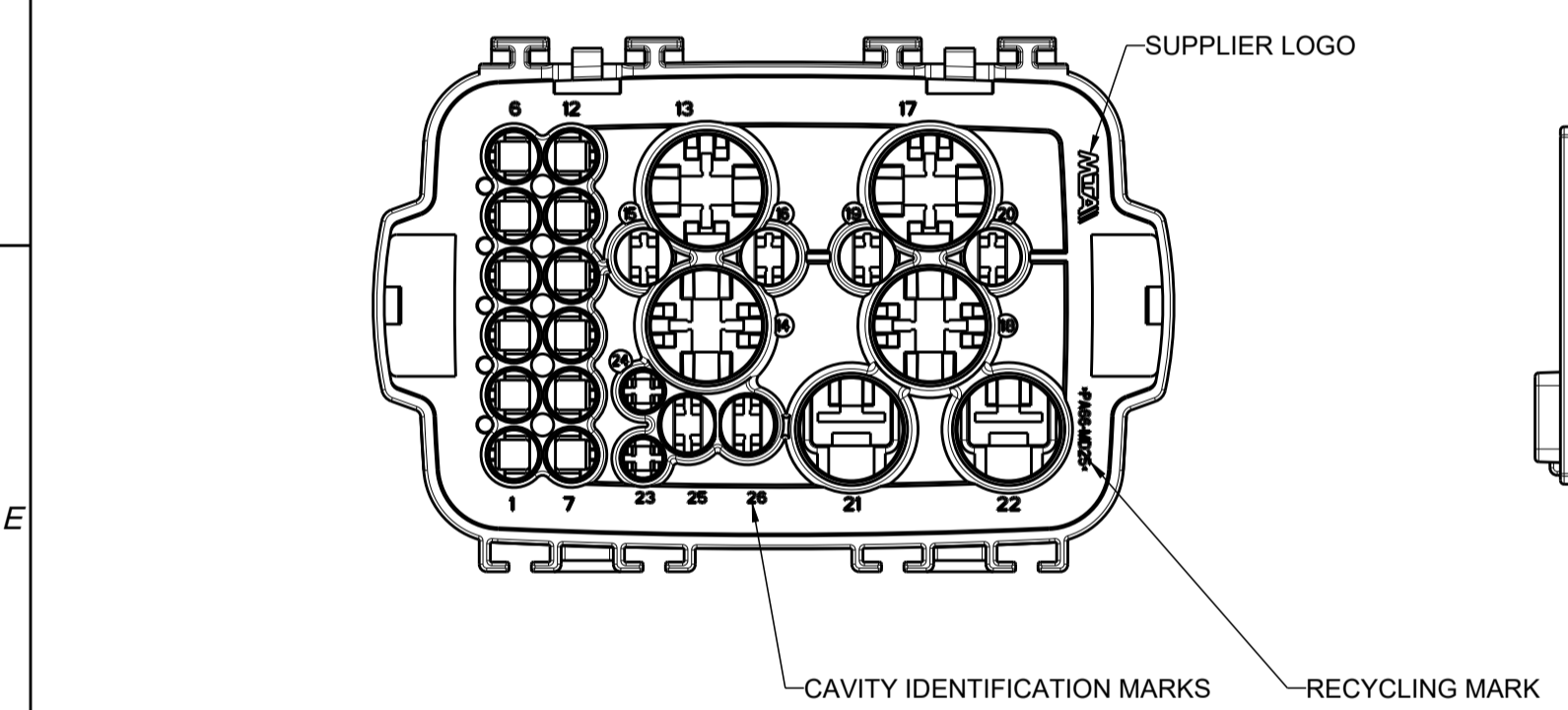


SEALING PLUGS FOR F280 AND MPT CONTACT SYSTEM SCALE 2:1

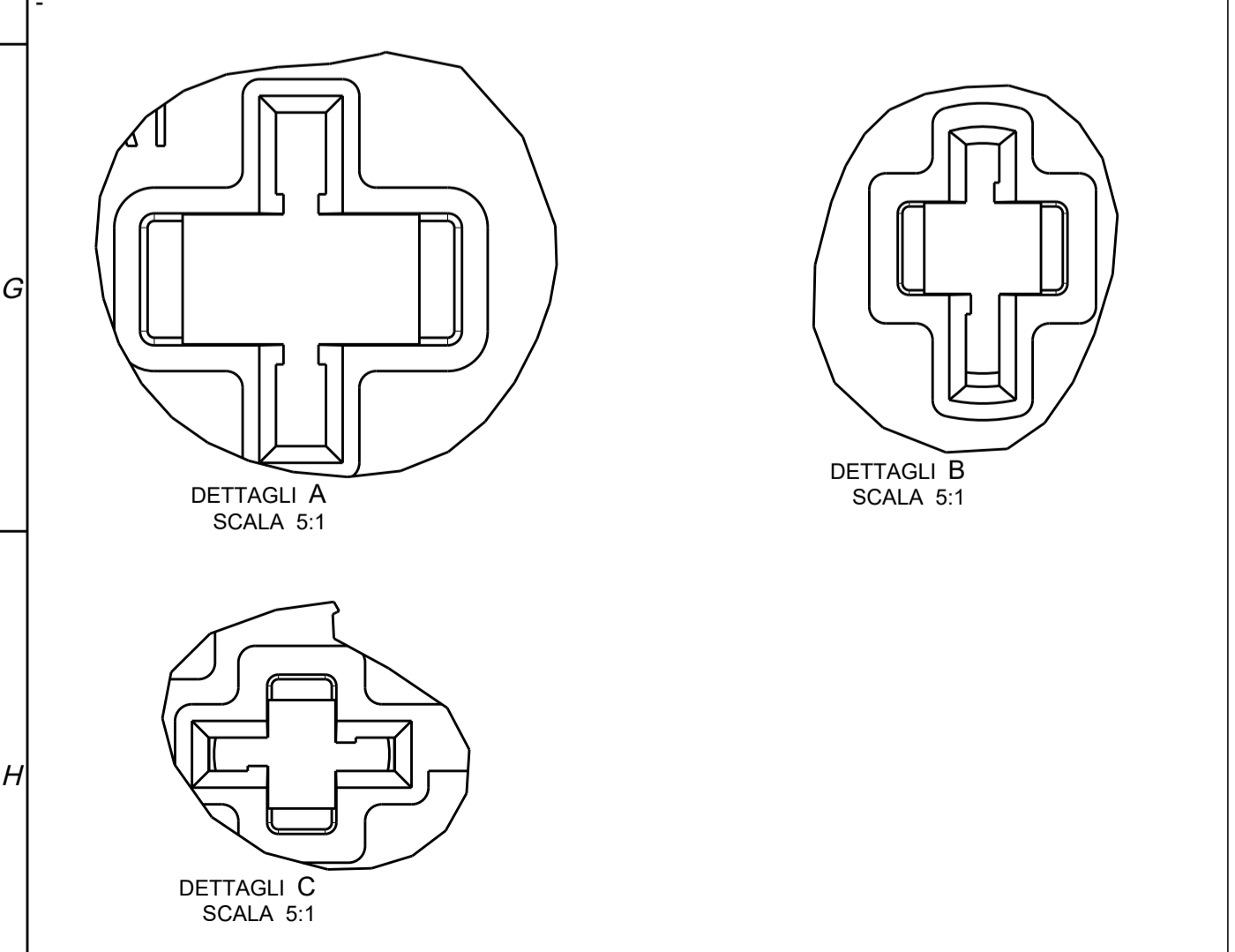
ASSEMBLED CONFIGURATION SCALE 1:1



PERSPECTIVE VIEW SCALE 1:1



DETAILED VIEWS OF THE RIBS ADDED IN ORDER TO INCREASE RELAYS RETENTION LOAD



ASSOCIATED TABLE REFERENCE (SEPARATELY SUPPLIED)		
ITEM	MTA P/N	DESCRIPTION
A	0301371/xx	COVER
B	0300690/xx	MOUNTING BRACKET MALE
C	0300691/xx	MOUNTING BRACKET FEMALE

POS.	Q.TY	DENOMINATION	MATERIAL
2	1	GASKET	LSI 50 Sh A YELLOW
1	1	BODY	PA66 MD25 HB BLACK

MTA		MTA P/N	0301491/2x	Denom.	MAXI-MICRORELAY WP MODULE
Draw No.		B0-002.535A	Used for		-
Date		14.02.13	Draw for		CUSTOMER
Name		E.ZABAGLIO	Material		SEE TABLE
Chk	-	Scale	-	Coating	-
Verif.	21.05.19	A.CROTTI	1:1	Lin.Tol.±	0.5
PQApp	23.05.19	M.MALBERTOCCHI	A1	Ang.Tol.±	2°
App.	23.05.19	G.SPATARO	Dimensions in (mm)		Sheet 1/1
CAD Software		PTC Creo		Note	

UNCONTROLLED COPY
in case of drawing updating/revision
NO AUTOMATIC
resubmission will follow

REV 9 All proprietary rights reserved by MTA S.p.A. - This drawing shall not be reproduced, or in any way utilized, for the manufacture of the component or unit herein illustrated and must not be released to other parties, without written consent. Any infringement will be legally pursued.